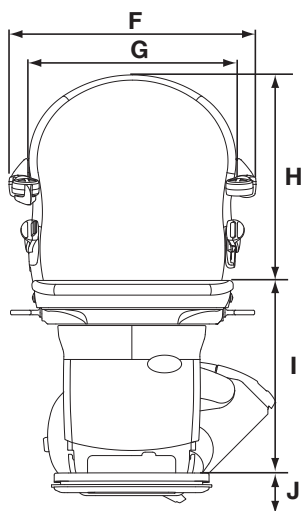
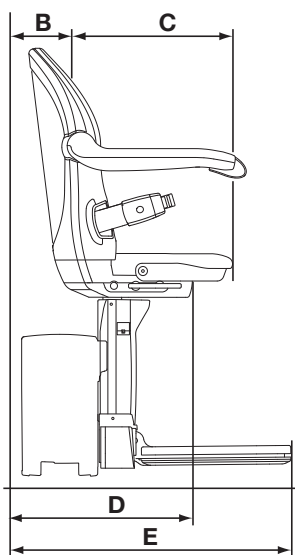
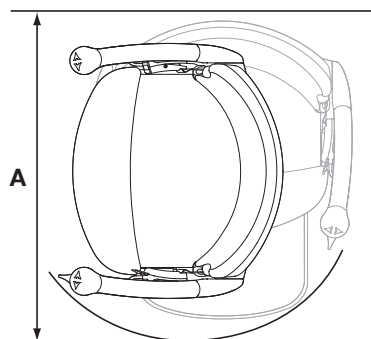


Smart seat – Handicare Simplicity+

Straight stairlifts



Simplicity+	Dimensions
A Minimum swivel radius - With armrest spacers - With extended armrest spacers	655mm 680mm 695mm
B Wall to inner seat back	65mm
C Seat depth - With extended seat	360mm 425mm
D Minimum folded width to footplate	370mm
E Minimum open width to edge footplate	570mm
F Armrest width – external - With armrest spacers - With extended armrest spacers	550mm 590mm 635mm
G Armrest width – internal - With armrest spacers - With extended armrest spacers	460mm 515mm 560mm
H Seat back height	455mm
I Footplate to seat height - Standard seat option - Perch seat option	430-530mm 675-875mm
J Minimum footplate height	70mm
Minimum track intrusion into staircase	185mm
Maximum weight limit - Hinged rail/Sliding Track	140kg/22st 120kg/19st

Some of the above dimensions depend on the characteristics of the staircase in the home. Please consult the sales manual for further information about these dimensions and features of this seat. All information is provided in good faith but does not constitute a guarantee. Handicare reserves the right to alter designs and specifications without prior notice.

