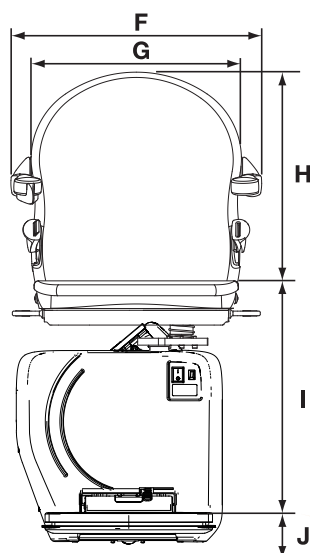
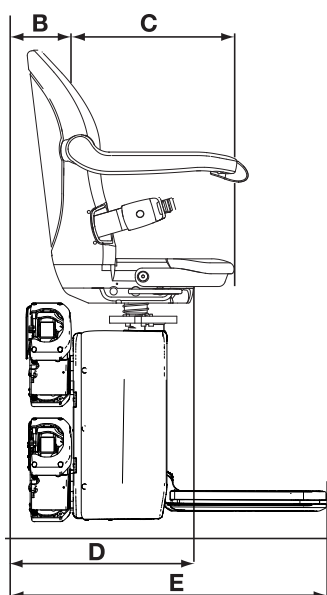
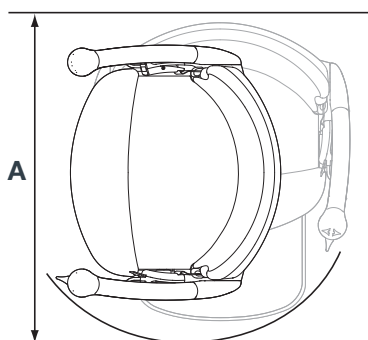


Handicare 4000 Smart

Twin rail curved stairlifts



Smart seat		Dimensions
A	Minimum swivel radius	700-750mm
	With short armrest	-
B	Wall to inner seat back	130mm
C	Seat depth	360-425mm
D	Minimum folded width to footplate	405mm
E	Minimum open width to footplate edge	695mm
	To small footplate	635mm
	To offset footplate	655mm
F	Armrest width – external	530-630mm
G	Armrest width – internal	410-510mm
H	Seat back height	455mm
	Footplate rake adjustment	50mm
I	Footplate to seat height	490-590mm
	With footplate rake adjustment	440-540mm
J	Minimum footplate height	70mm*
	Minimum track intrusion into staircase	125mm
	Standard weight limit	136kg/21½st
	Heavy duty weight limit	160kg/25¼st
	Speed	0.12m/sec
	Maximum staircase angle	56°

* At horizontal landings

Bentley Mobility Services Ltd



Unit 19 Highview Business Centre
High Street
Bordon
Hampshire GU35 0AX

T: 01420 470730
F: 01420 470731
W: www.bentleymobility.co.uk

Some of the above dimensions depend on the characteristics of the staircase in the home. Please consult the sales manual for further information about these dimensions and features of this seat. All information is provided in good faith but does not constitute a guarantee. Handicare reserves the right to alter designs and specifications without prior notice.