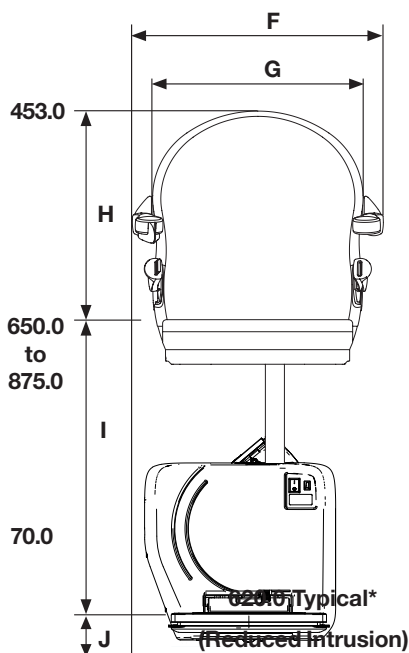
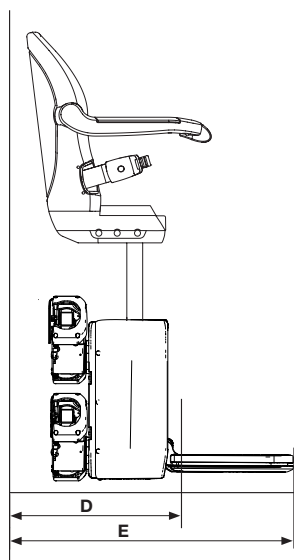
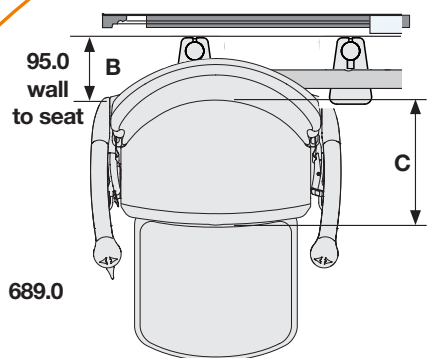


# Handicare 4000 Perch

## Twin rail curved stairlifts



Perch seat		Dimensions
A	Minimum swivel radius With short armrest	- -
B	Wall to inner seat back	130mm
C	Seat depth	360-425mm
D	Minimum folded width to footplate	405mm
E	Minimum open width to footplate edge	695mm
F	Armrest width – external	530-630mm
G	Armrest width – internal	410-510mm
H	Seat back height Footplate rake adjustment	455mm 50mm
I	Footplate to seat height	625-750mm
J	Minimum footplate height	70mm*
Minimum track intrusion into staircase		125mm
Standard weight limit		136kg/21½st
Heavy duty weight limit		-
Speed		0.12m/sec
Maximum staircase angle		56°

\* At horizontal landings

**Bentley Mobility Services Ltd**



**Unit 19 Highview Business Centre  
High Street  
Bordon  
Hampshire GU35 0AX**

**T: 01420 470730  
F: 01420 470731  
W: [www.bentleymobility.co.uk](http://www.bentleymobility.co.uk)**

Some of the above dimensions depend on the characteristics of the staircase in the home. Please consult the sales manual for further information about these dimensions and features of this seat. All information is provided in good faith but does not constitute a guarantee. Handicare reserves the right to alter designs and specifications without prior notice.