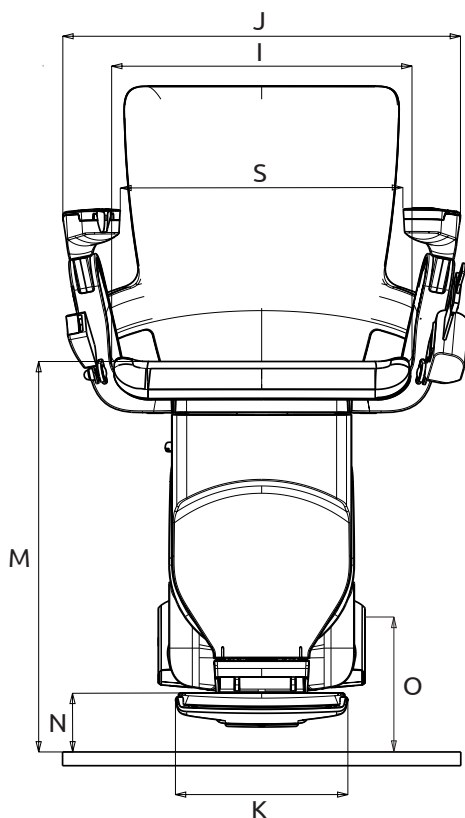
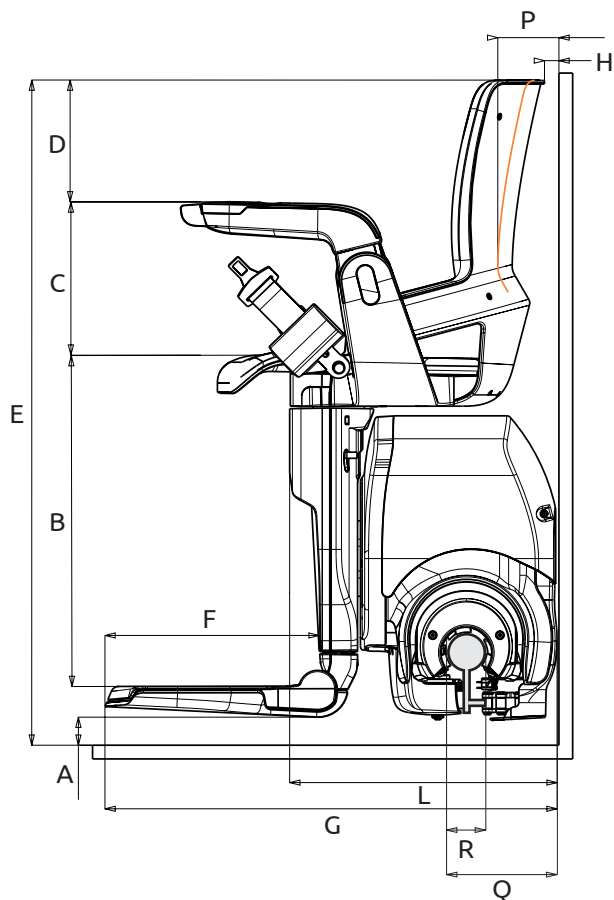


# Datasheet

# Otolift Modul-Air Smart



<b>A</b>	Floor to bottom of footrest (on a horizontal run on)	<b>40</b>
<b>B</b>	Top of footrest to top of seat	<b>480</b>
<b>C</b>	Top of seat to top of arms	<b>215</b>
<b>D</b>	Top of arms to top of seat back	<b>190</b>
<b>E</b>	Overall height (on a horizontal run on)	<b>965</b>
<b>F</b>	Length of footrest	<b>315</b>
<b>G</b>	Front of footrest to wall	<b>685</b>
<b>H</b>	Back of seat to wall (minimal)	<b>30</b>
<b>I</b>	Seating width	<b>430</b>
<b>J</b>	Overall width	<b>585</b>
<b>K</b>	Width of footrest	<b>250</b>
<b>L</b>	Folded footrest width to wall	<b>405</b>
<b>M</b>	Seat to floor	
	- On a horizontal run on	<b>570</b>
	- On normal start / dropstart	<b>600</b>
	- On a M-int Start	<b>Riser 1 +430</b>
<b>N</b>	Top of the footrest to floor	
	- On a horizontal run on	<b>90</b>
	- On normal start / dropstart	<b>120</b>
	- On a M-int Start	<b>M -480</b>
<b>O</b>	Top of the tube to floor (on a horizontal run on)	<b>165</b>
<b>P</b>	Backrest chair (inside) to wall	<b>105</b>
<b>Q</b>	Front of tube to wall	<b>190</b>
<b>R</b>	Diameter of the tube	<b>60</b>
<b>S</b>	Width between arms (narrowest point)	
	- Straight arms - folded down	<b>436</b>
	- Straight arms - folded up	<b>406</b>
	- Curved arms - folded down	<b>402</b>
	- Curved arms - folded up	<b>385</b>

This datasheet is intended to be used for reference only. All dimensions shown from the wall will be affected by any additional obstructions and are subject to a full site survey. Measurements are in millimetres. No rights can be obtained from this datasheet.

# Datasheet

# Otolift Modul-Air Smart

Bentley Mobility Services Ltd



Unit 19 Highview Business Centre  
High Street  
Bordon  
Hampshire GU35 0AX

T: 01420 470730  
F: 01420 470731  
W: [www.bentleymobility.co.uk](http://www.bentleymobility.co.uk)

## Seat

**Materials**  
Base: Sheet metal  
Finish: Galvanized  
  
Armrest & arm support: Injection moulded aluminium  
  
Finish: Powder coated  
  
Backrest & seat: Glass fibre reinforced PP. Flame retardant conform UL-94 V-0. Halogen free

Armrest, arm support & seat covers: PC + ABS. Flame retardant conform UL-94 V-0 (enclosures UL-94 5VA)

**Upholstery** Fabric/leather/synthetic leather  
Flame retardant according to NEN-EN 1021-2, annex B

**Swivel** Manual / Powered  
(Powered swivel has a manual release handle on the front frame)

**Powered swivel motor** 24V brushed DC

**Armrests** Display, joystick and footrest controls  
*Optional:* Two-way communication (DECT).

**Switches** All switches are integrated in the armrests. The main switch is integrated in the display module. The rocker switch for electric control of the footrest is positioned in the second armrest.

**Load** 1 25 kg

**Safety** Seatbelt  
Entire stairlift complies with NEN-EN 81-40-2020

## Drive unit

**Materials** Support frame: Cast iron  
Finish: Galvanized or powder coated  
  
Motor unit: Casted aluminium  
  
All covers: PC + ABS. Flame retardant conform UL-94 V-0 (enclosures UL-94 5VA). Halogen free

Rollers: PA66  
Pinion: Machined steel

**Drive motor** 24V brushless DC

**Level motor** 24V brushless DC

**Start** Soft start and stop

**Batteries** 2x 12V. Flame retardant conform UL-94 V-0. Batteries are lead 7 Ah, or optionally lithium-ion 7.5 Ah

**Noise level** Less than 50 dBA

**Safety** Left/right side is provided with safety switches

## Frontframe/Footrest

**Materials** Frame: Sheet metal and steel tube  
Finish: Galvanized

Footrest: Welded sheet metal  
Finish: Galvanized

All covers: PC + ABS. Flame retardant conform UL-94 V-0 (enclosures UL-94 5VA). Halogen free

**Footrest** Powered folding up and down  
*Optional:* (Partially) coupled to seat rotation

**Switches** Keyswitch in frontframe

**Safety** Left and right side of footrest are provided with safety switches

## Rail

**Construction** One single, low positioned, steel rail

**Rail section** Round with a 60 mm diameter

**Finish** Epoxy powder coated

**Fixing** Rail supports with base plates. Screwed to floor and staircase. Screws are covered with ABS plastic caps

**Length** Max. 30 meters

**Rail wiring** Through the rail

**Drive method** Roller wheels and rack mounted at the back, bottom and side of the rail

**Max inclination** -75 to 75°

**Starting options** Parking curves/short start/horizontal start/First Riser Start

## Other parts

**Remote controls** Remote RF controls with light touch switches. Wall mounted at top and bottom of the staircase. Powered by 2 AA batteries

**Charge unit** Wall mounted